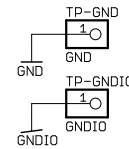
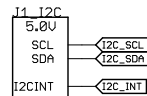
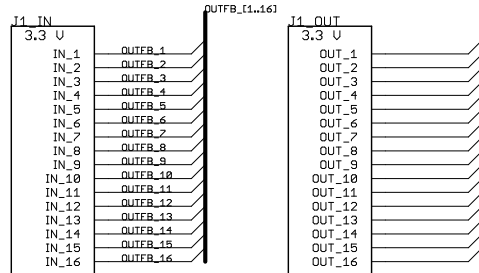
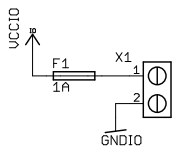
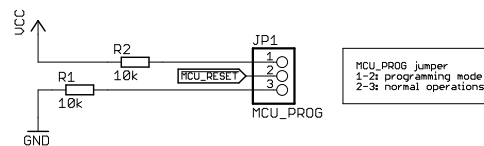
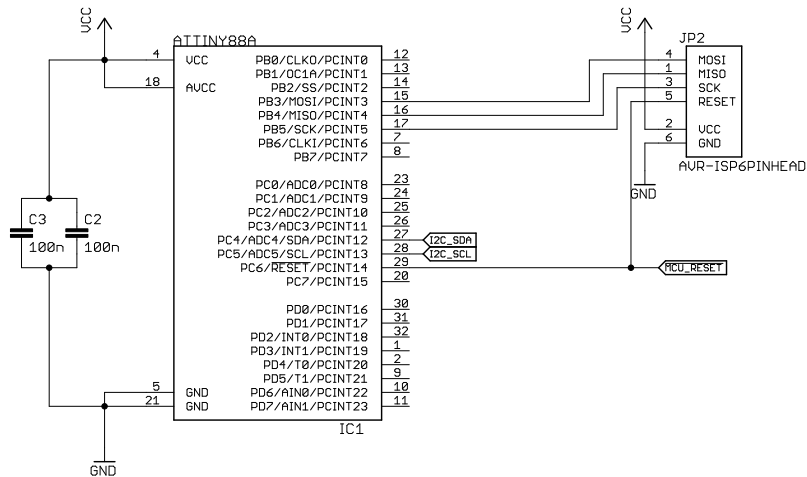
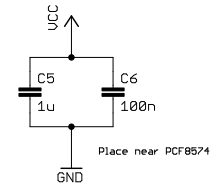
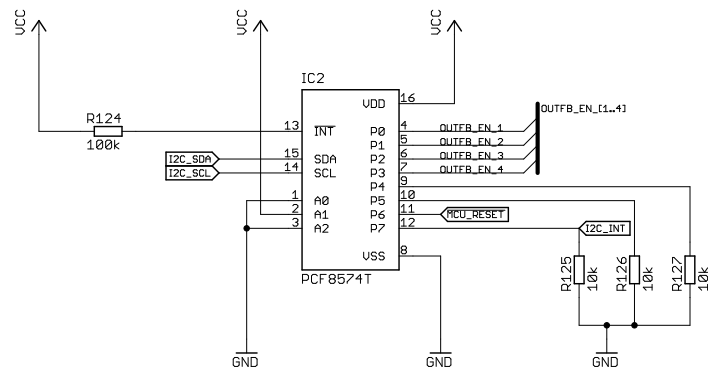


Place C 4.7u near connector

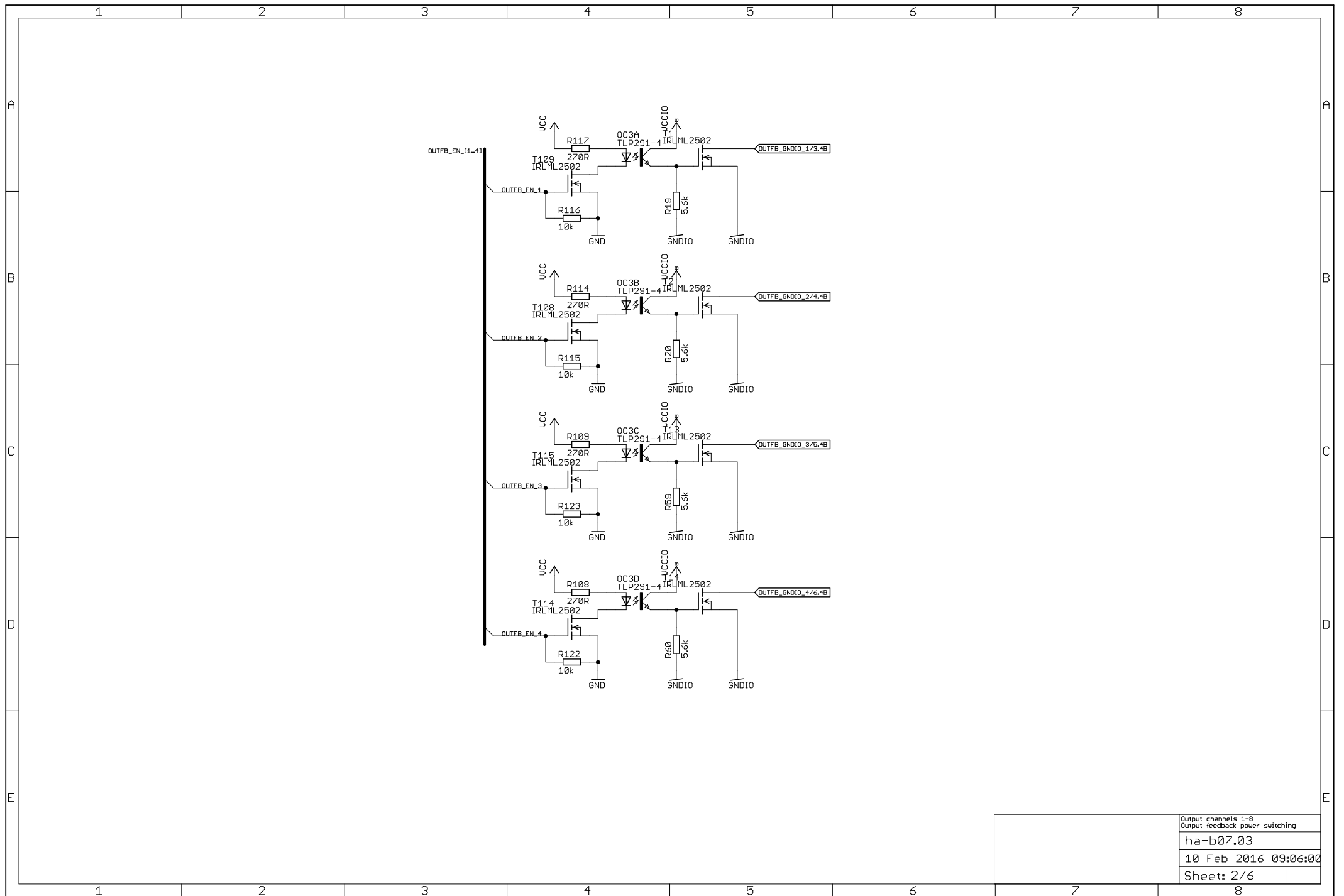


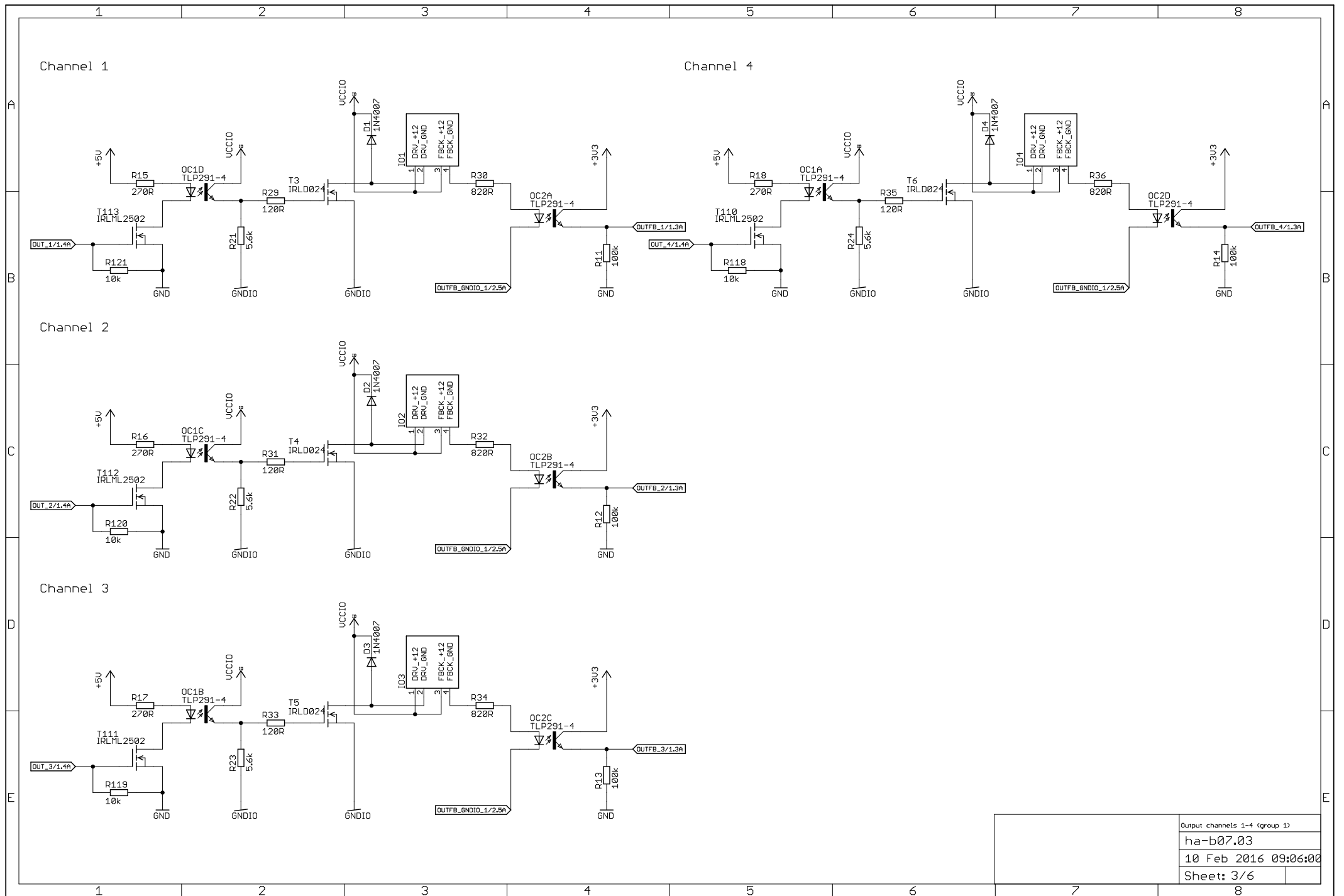
I2C ADDRESSING
 ATtiny88 has I2C addr 0x4a,
 PCF8574 has I2C addr 0x22.



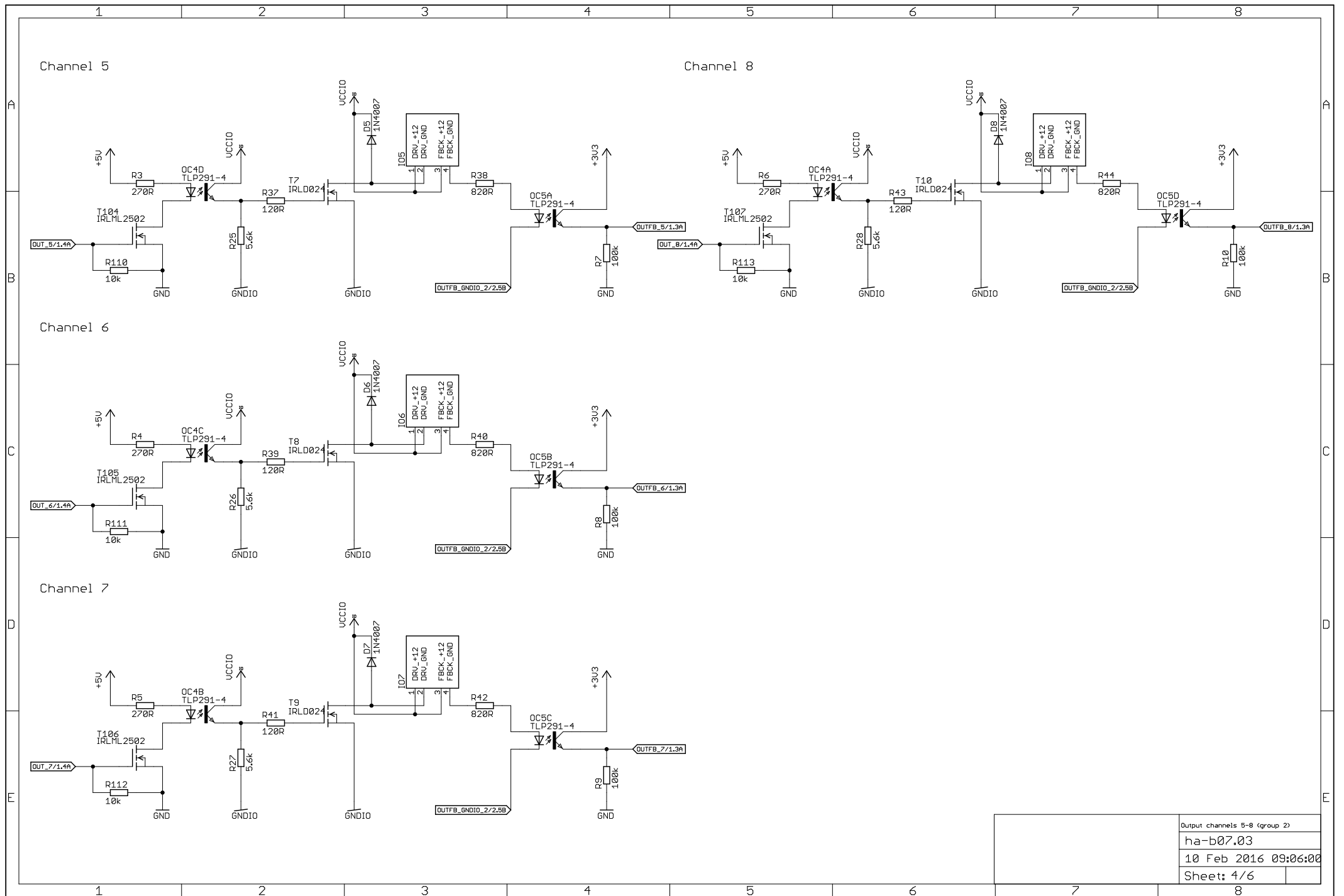
- H3 MOUNT-PAD-ROUND3.2
- H2 MOUNT-PAD-ROUND3.2
- H1 MOUNT-PAD-ROUND3.2
- H4 MOUNT-PAD-ROUND3.2

	Notes All vias drill size 0.6mm	
	Module connector Module interface	
	ha-b07.03	
	10 Feb 2016 09:06:00	
Sheet: 1/6		NZ

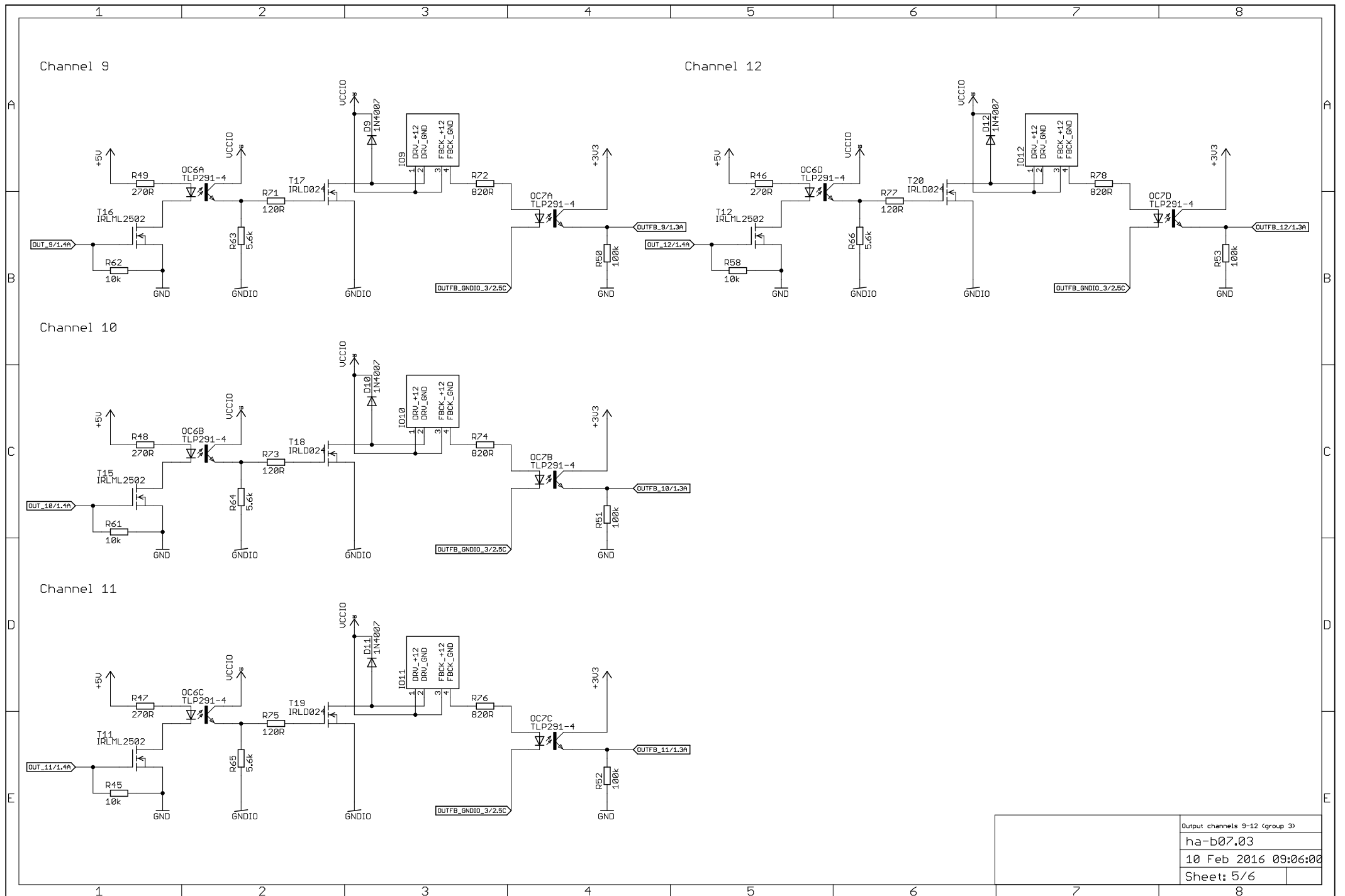




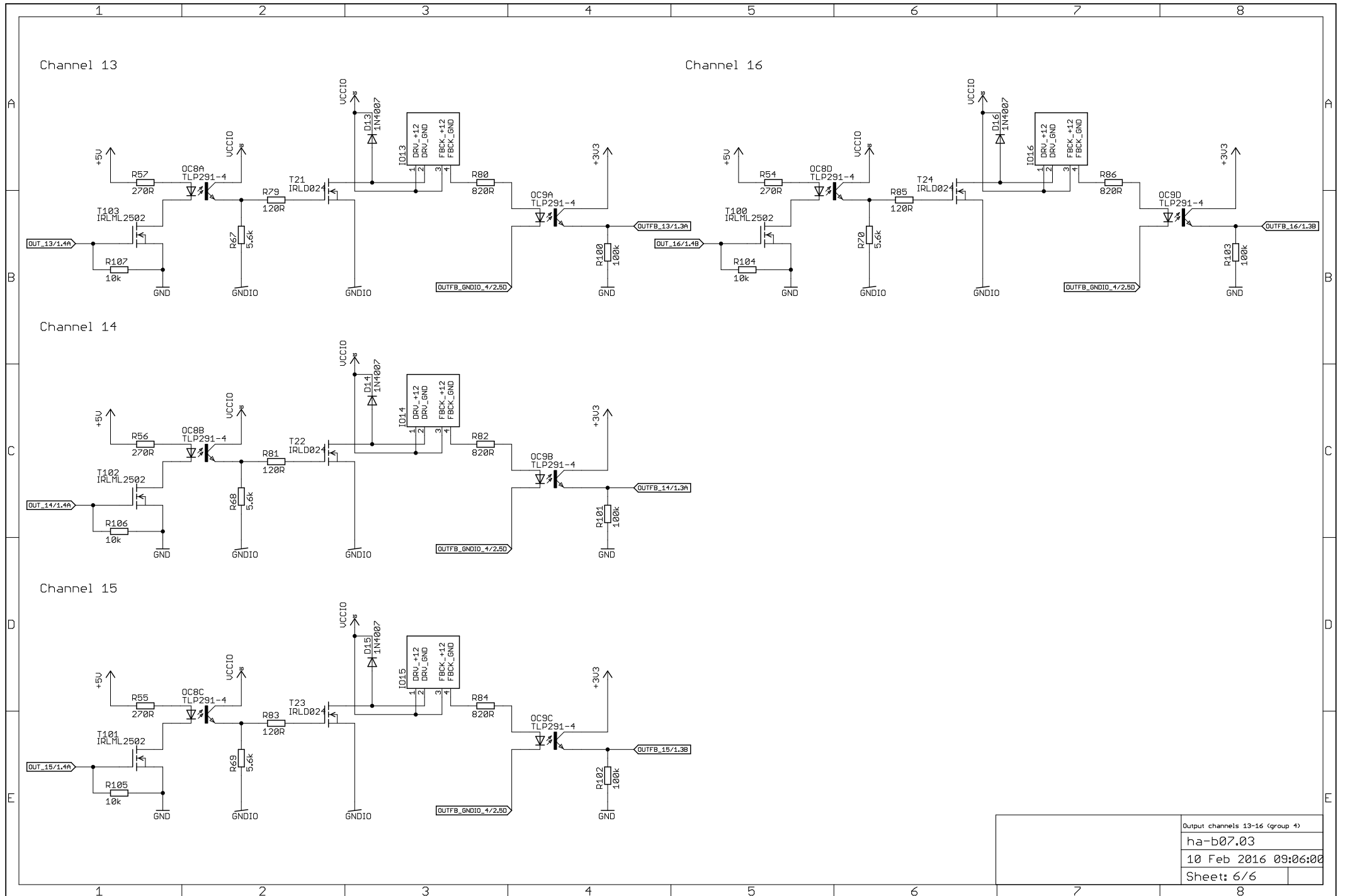
Output channels 1-4 (group 1)
ha-b07.03
10 Feb 2016 09:06:00
Sheet: 3/6



Output channels 5-8 (group 2)
ha-b07.03
10 Feb 2016 09:06:00
Sheet: 4/6



Output channels 9-12 (group 3)
ha-b07.03
10 Feb 2016 09:06:00
Sheet: 5/6



Output channels 13-16 (group 4)
ha-b07.03
10 Feb 2016 09:06:00
Sheet: 6/6